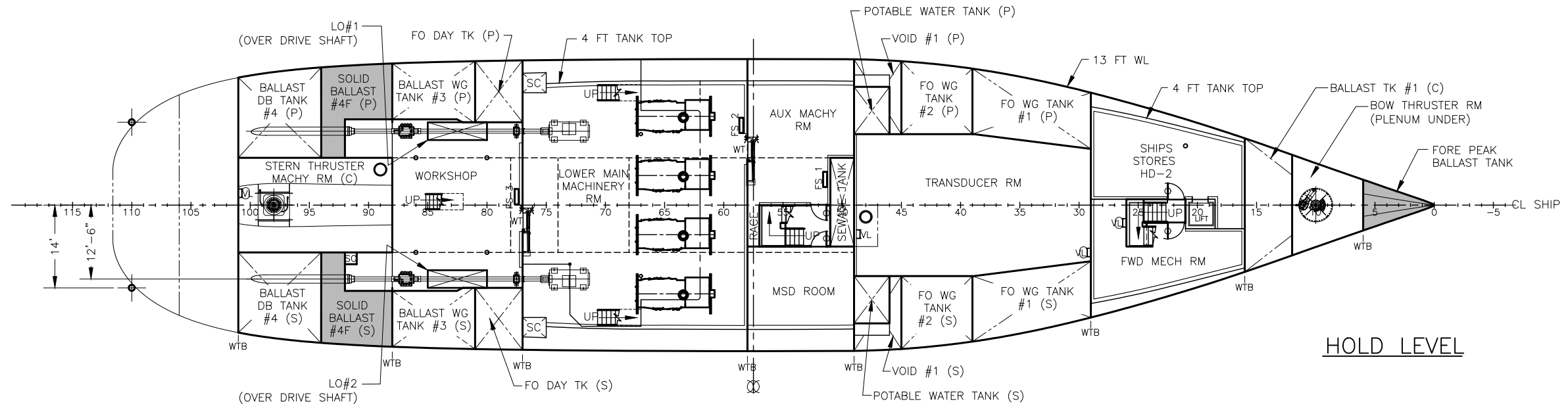


8 7 6 5 4 3 2 1

D

D



HOLD LEVEL

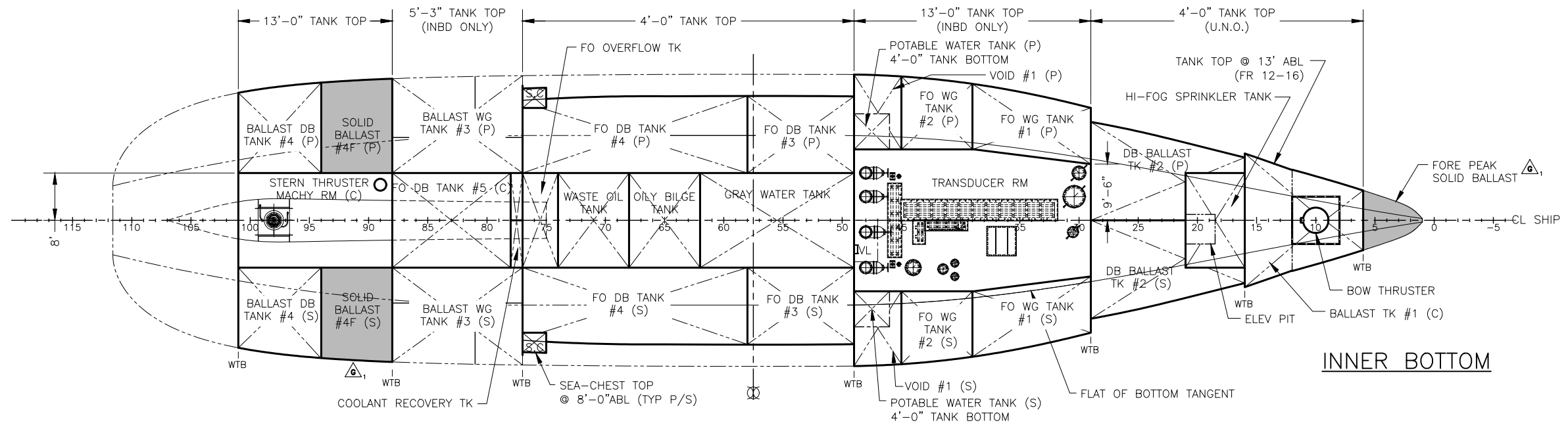
C

C

PLOT DATE: Thursday, July 27, 2017 02:58:43 pm
 PLOT TIME: 02:58:43 pm
 PLOT DIR: G:\2017\17002_SCRIPPS_SALLY_RIDE_PSA_MODS\PH_1\RECORD_PLANS\B01-01_GENERAL_ARRANGEMENT\
 FILE NAME: SR_65411-801-01_GENERAL_ARRANGEMENT_REV_G.DWG

B

B



INNER BOTTOM

A

A

8 7 6 5 4 3 2 1

HALF SIZE PRINT

DESIGNER GUIDO PERLA & ASSOCIATES, Inc.	TITLE GENERAL ARRANGEMENT DRAWINGS
SHIPBUILDER DAKOTA CREEK INDUSTRIES, Inc.	DWG No. 65411-801-01
NAVSEA DWG No. 8565942	SCALE 3/32" = 1'-0"
	SHEET 3 OF 7