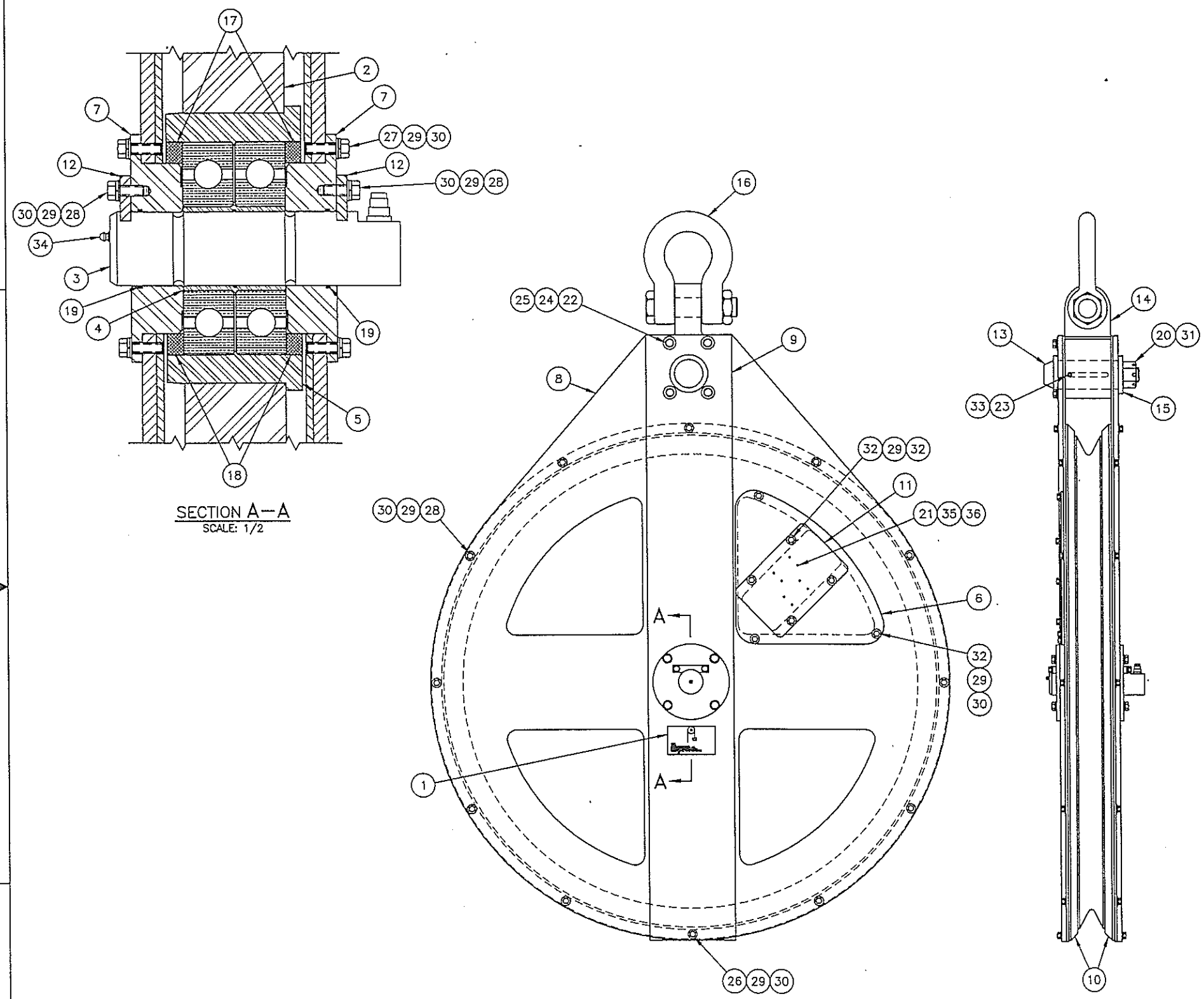


WEIGHT	950 lbs. (430.8 Kg.)
SAFE WORKING LOAD	20,000 lbs. (9072 Kg.)
SHEAVE ROOT DIA.	48.00" (1219.2 mm)
GROOVED FOR .680" CABLE	

UNLESS OTHERWISE SPECIFIED: DIMENSIONS ARE IN INCHES TOLERANCES ARE:			CUSTOMER P.O. No. DYNACON 570		THIS DRAWING IS THE PROPERTY OF D DYNACON, INC. ANY REPRODUCTION OR USE OF THIS DESIGN IS EXPRESSLY FORBIDDEN UNLESS AUTHORIZED IN WRITING.	
FRACTIONS ± 1/16	DECIMALS XX ± .02 XXX ± .005	ANGLES ± 1/2°	APPROVALS	DATE	DRAWN AL 16MAR99	
REMOVE BURRS, BREAK SHARP EDGES			DRAFTING CHECK		OVERBOARDING SHEAVE GENERAL ARRANGEMENT	
MATERIAL 570-7001-01			ENGINEERING CHECK		SIZE D	CAGE CODE OFSDO
FINISH 125	APPROX. WEIGHT, LBS. 950	ENGINEERING APPROVAL	PRODUCTION APPROVAL		DWG NO. 570-7000-01	REV -
DO NOT SCALE DRAWING			SCALE 1/5	DATE 03/16/99	PATH 05700DWG\570-7000-01 SHEET 1 OF 1	



QTY REQD	PART NUMBER	DESCRIPTION	MATERIAL SPECIFICATION	ITEM NO.
34		LOCK WASHER #3/8, HELICAL SPRING	18-8 STAINLESS STEEL	30
34		FLAT WASHER #3/8	18-8 STAINLESS STEEL	29
22		HEX HEAD SCREW 3/8-16 UNC x 1 Lg.	18-8 STAINLESS STEEL	28
8		HEX HEAD SCREW 3/8-16 UNC x 1 1/4 Lg.	18-8 STAINLESS STEEL	27
4		HEX HEAD SCREW 3/8-16 UNC x 1 1/2 Lg.	18-8 STAINLESS STEEL	26
4		LOCK WASHER #1/2, HELICAL SPRING	18-8 STAINLESS STEEL	25
4		FLAT WASHER #1/2	18-8 STAINLESS STEEL	24
1		SET SCREW, HEX SOCKET 1/2-13 UNC x 1/2 Lg.	18-8 STAINLESS STEEL	23
4		HEX HEAD SCREW 1/2-13 UNC x 2 Lg.	18-8 STAINLESS STEEL	22
2	IME2020F80A	PROXIMITY SENSOR	EFFECTOR	21
1		SLOTTED HEX NUT 1 1/2-12 UNF	ZINC COATED Gr. 5 STEEL	20
2	2-146	O-RING 2 5/8 I.D. x 3/32 THICK	BUNA-N	19
2	0600-8947	SEAL LUP STYLE	J-M CLIPPER	18
2	6415	BALL BEARING, DEEP GROOVE	SKF	17
1	25 TON	ANCHOR SHACKLE, BOLT TYPE		16
1	461-7007-08	BAIL WASHER		15
1	461-7007-07	BAIL BLOCK		14
1	461-7007-06	BAIL PIN		13
2	461-7007-05	KEEPER		12
1	DYN-2002-	LINE COUNTER MOUNT (LONG)		11
2	461-7007-03	FAIRING		10
2	461-7007-02	HANGER STRAP		9
2	461-7007-01	SIDE PLATE		8
2	461-7004-05	BEARING RETAINER		7
1	570-7007-08	SENSOR MOUNT		6
1	461-7004-03	HUB		5
1	461-7004-02	AXLE SLEEVE		4
1	LP-50K-ES840-00	LOAD PIN	M/O TOTCO	3
1	461-7003-04	SHEAVE		2
1	470-7002-05	TAG ENGRAVING		1

QTY REQD	PART NUMBER	DESCRIPTION	MATERIAL SPECIFICATION	ITEM NO.	QTY REQD	PART NUMBER	DESCRIPTION	MATERIAL SPECIFICATION	ITEM NO.
8		LOCK WASHER #10 HELICAL SPRING	18-8 STAINLESS STEEL	36	1		ROUND ROD, #1/2 x 1 Lg. MACHINE TO #.406	AISI TYPE 304L STAINLESS STEEL	33
8		CROSS HEAD SCREW #10-24 UNF x 1 1/2 Lg.	18-8 STAINLESS STEEL	35	7		HEX HEAD SCREW 3/8-16 UNC x 1/2 Lg.	18-8 STAINLESS STEEL	32
1		GREASE ZERK 1/4-28 UNF	STAINLESS STEEL	34	1		COTTER PIN #1/4 x 4 Lg.	STAINLESS STEEL	31

UNLESS OTHERWISE SPECIFIED: DIMENSIONS ARE IN INCHES TOLERANCES ARE: FRACTIONS DECIMALS HOLES ± 1/16 .XX ± .02 ± 1/2 .XXX ± .005

REMOVE BURRS. BREAK SHARP EDGES. MATERIAL: SEE PARTS LIST. FINISH: 125. APPROX. WEIGHT, LBS: 950. DO NOT SCALE DRAWING.

CUSTOMER P.O. No. DYNACON JOB No. 570. THIS DRAWING IS THE PROPERTY OF DYNACON, INC. ANY REPRODUCTION OR USE OF THIS DESIGN IS EXPRESSLY FORBIDDEN UNLESS AUTHORIZED IN WRITING. 831 INDUSTRIAL BLVD. BRYAN, TEXAS USA 77803.

APPROVALS: AL 18MAR99. DRAFTING CHECK: ENGINEERING CHECK: ENGINEERING APPROVAL: PRODUCTION APPROVAL:

OVERBOARDING SHEAVE ASSEMBLY. SIZE: D. CAGE CODE: OFSDO. DWG NO.: 570-7001-01. SCALE: 1/6. PATH: 057001WG\570-7001-01 SHEET 1 OF 1. 03/16/99 09:18.