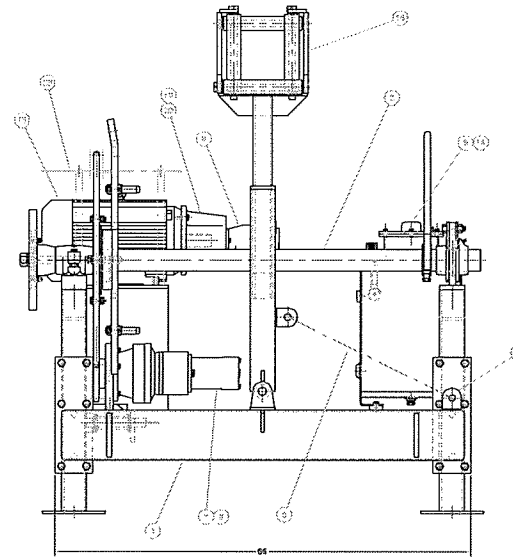
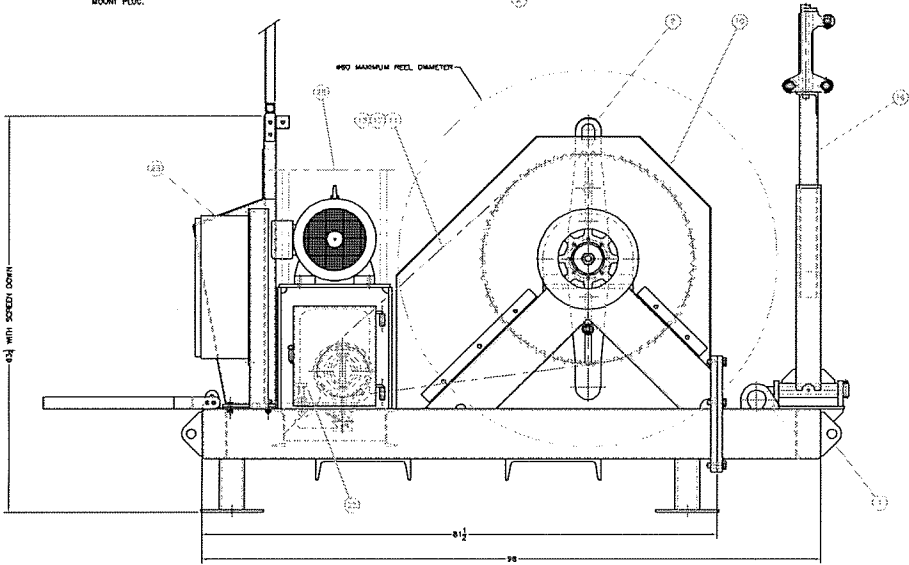
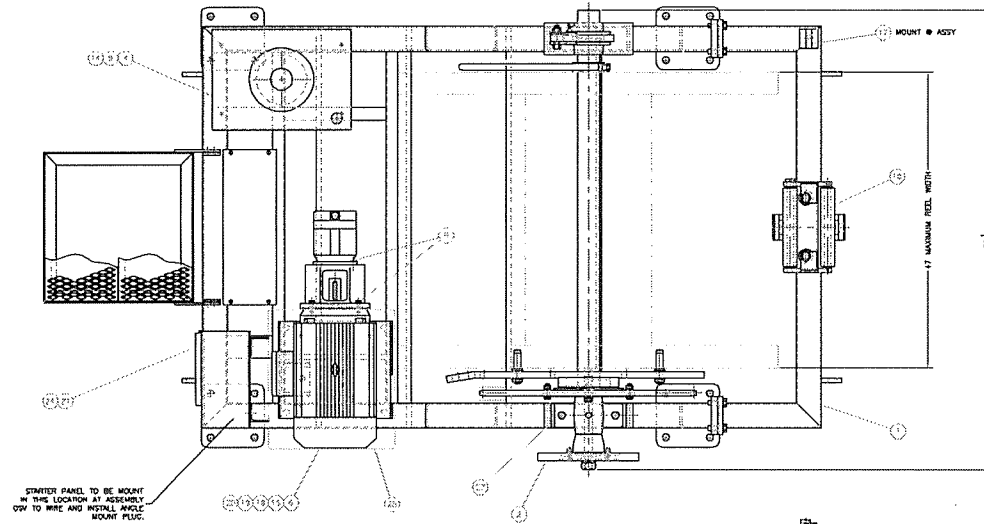


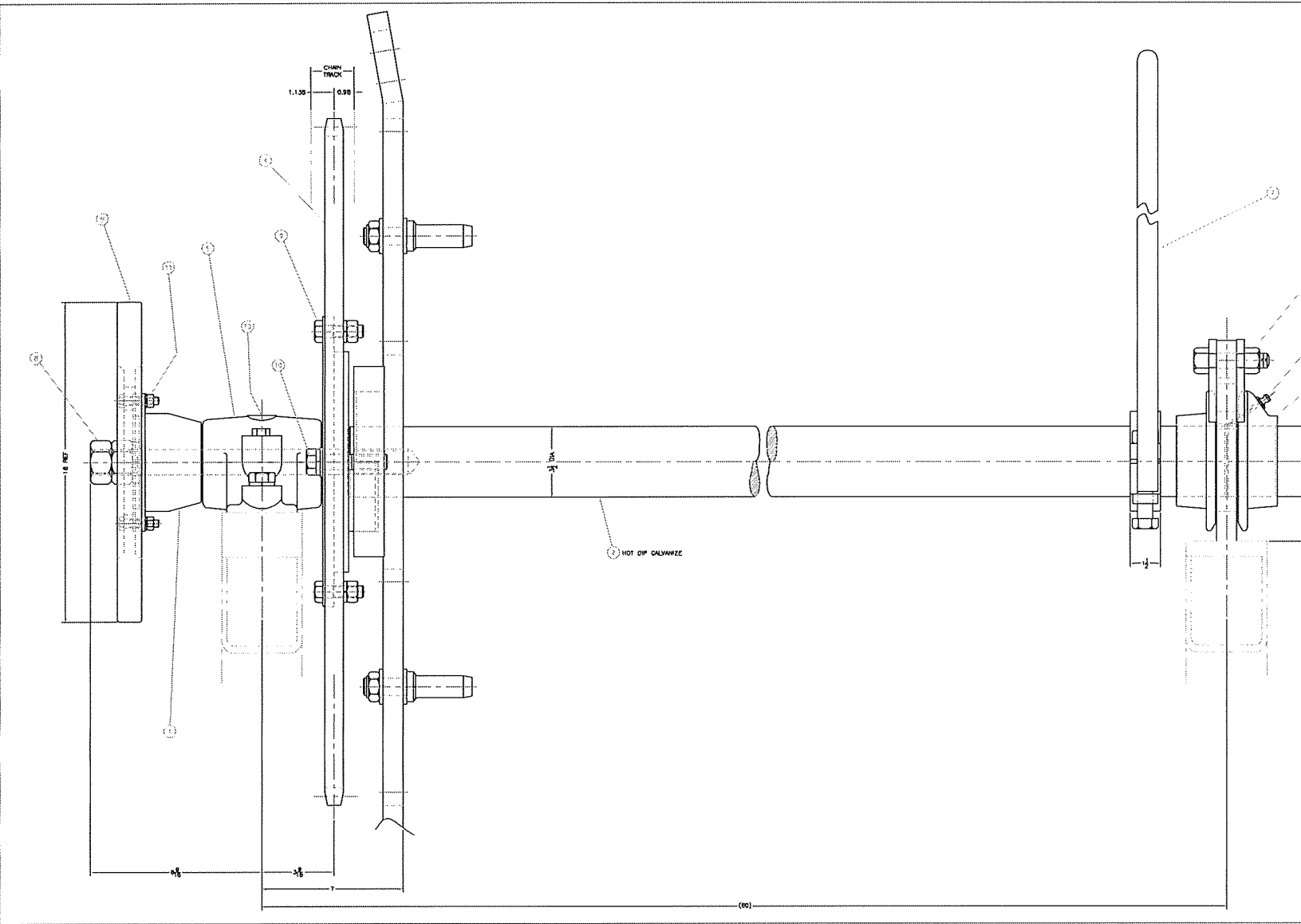
REV	DATE	BY	CHKD	DESCRIPTION	FIG	APP'D
A	12/20/01			ADD ELECTRIC PANEL BOX TO DWG	58	RB
B	1/10/02			FOR 24 VDC SYSTEMS	59	RB



28	760008	COVER, ELECTRIC MOTOR		1
27	110008	4 LG - 1/2 90MM C	A-38	0.177
26	500185	HANGING BR, STAINLESS STEEL		1
25	760008	PANEL ASSEMBLY, 30-70 WHICH		1
24	5601305	PANEL, STARTER ASSEMBLY		1
23	1	GREASE FITTING, 1/8-20NPT	SS	REF
22	1	1-BWC WRENCH 3 3/8 Q/W HAF	SS	REF
21	1	1/2-13NC WRENCH 2 1/2 Q/W LW	SS	REF
20	561784	PUMP MOUNT		1
19	564812	COUPLING ASSEMBLY		1
18	1	1/2-13NC WRENCH 2 3/4 Q/W LW & BIT	SS	REF
17	561712	CYLINDER C/W		1
16	8020184	LOCKING ASSEMBLY, 50-70 WHICH		1
15	561733	MOTOR, 30 HP, ELECTRIC		1
14	567851	HYDRAULIC OIL MOTOR AW-45		400AL
13	217016	LINK - OP/RET ROLLER CHAIN 120 1-1/2 SP		1
12	216016	CONNECTOR LINK - CHAIN 120 1-1/2 SP		1
11	215018	1 BR LG - ROLLER CHAIN 120 1-1/2 SP		13.077
10	890015	CHAIN GUARD ASSEMBLY		1
9	760247	RESERVOIR, HYDRAULIC		1
8	1	FT OWM OIL, EP-150		0.5CAL
7	760204	SYNCH ASSEMBLY 50-70 WHICH		1
6	5600168	PUMP, HYDRAULIC DISPLACEMENT		1
5	561737	CYLINDER, HYDRAULIC		1
4	760008	SCHEMATIC, HYDRAULIC - 50-70 WHICH		1
3	500256	BRAKE CHAPER INSTALLATION		1
2	8000187	REEL, SPACER ASSEMBLY		1
1	8000150	FRAME ASSEMBLY, 50-70 WHICH		1

ALL PARTS NOT GALVANIZED TO BE PAINTED MARINE GRADE SILVER OR TO CUSTOMER'S SPEC'S. SEE SALES DEPARTMENT FOR PAINT COLORS.

ITEM	PART NUMBER	DESCRIPTION	QUANTITY	REVISION
UNLESS OTHERWISE SPECIFIED, DIMENSIONS ARE IN INCHES AND DECIMALS THEREOF ARE TO THE NEAREST 0.001 UNLESS OTHERWISE SPECIFIED.				
TSE INTERNATIONAL INC 3775 Highway 10, Lafayette, Louisiana, United States of America				
DRAWING NO: 8600169-1 TITLE: GENERAL ASSEMBLY, 50-70 WHICH DATE: FEBRUARY 2004 DRAWN BY: RB CHECKED BY: RB APPROVED BY: RB SCALE: 1" = 1"				
				REV 1
				REV 2
				REV 3
				REV 4
				REV 5
				REV 6
				REV 7
				REV 8



REPLACE EXISTING HARDWARE WITH STAINLESS STEEL HW.

NOT DIP GALVANIZE

ITEM	PART NUMBER	DESCRIPTION	QUANTITY	UNIT
13	2	GRABER FITTING, 1/8"-27 NPT	SS	REF
12	1	3/4"-10 NC INCH X 3 LG G/W LOCKWHL	SS	REF
11	0	3/8"-18 NC INCH X 1 3/4 LG G/W LW & MUT	SS	REF
10	2	3/4"-10 NC INCH X 3 1/2 LG G/W LW	SS	REF
9	5	5/8"-11 NC INCH X 2 LG G/W LW & MUT	SS	REF
8	8600084	BOLL SPRNG 1 1/4" DIAMETER		1
7	790014	LIFTING LOOP ASSEMBLY 3 1/2"		1
6	810007	16 INCH BRONZE DISC		1
5	390784	PIWLOW BLOCK		1
4	8600043	SPROCKET REPAIR		1
3	8600278	BEARING 3 1/2"		1
2	7900092	SHFT & DRNG HWM ASSEMBLY		1
1	8600168	SLIP SHFT ASSEMBLY		1

REV	DATE	BY	CHKD	DESCRIPTION
A1				

REV	DATE	BY	CHKD	DESCRIPTION
A1				

UNLESS OTHERWISE SPECIFIED DIMENSIONS ARE IN INCHES
 DIMENSIONS BY C I ARE IN 10 THOUSITHS

TSE INTERNATIONAL INC
 Shreveport, Louisiana, United States of America

8600167