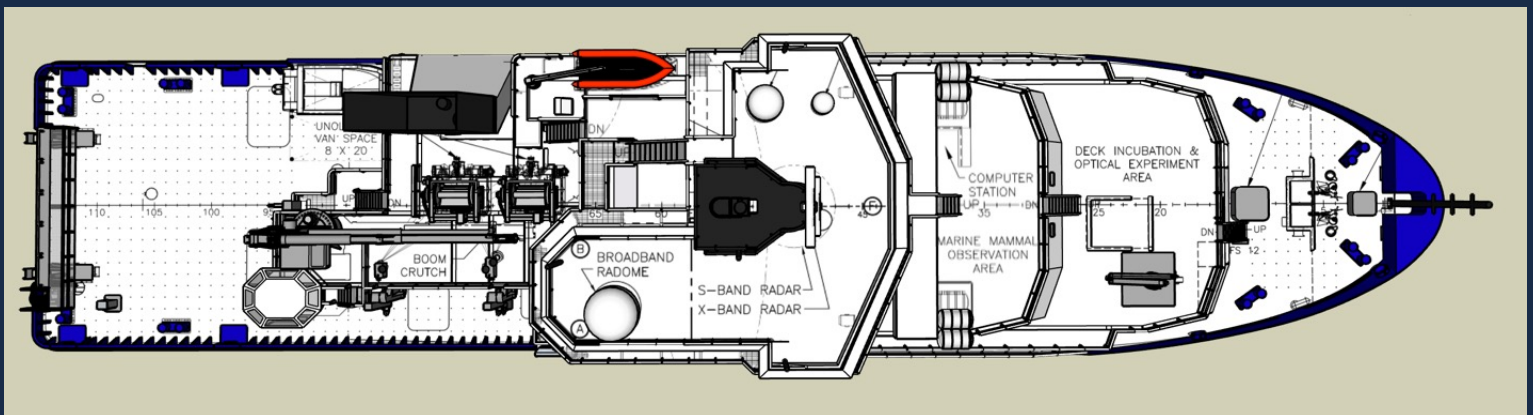
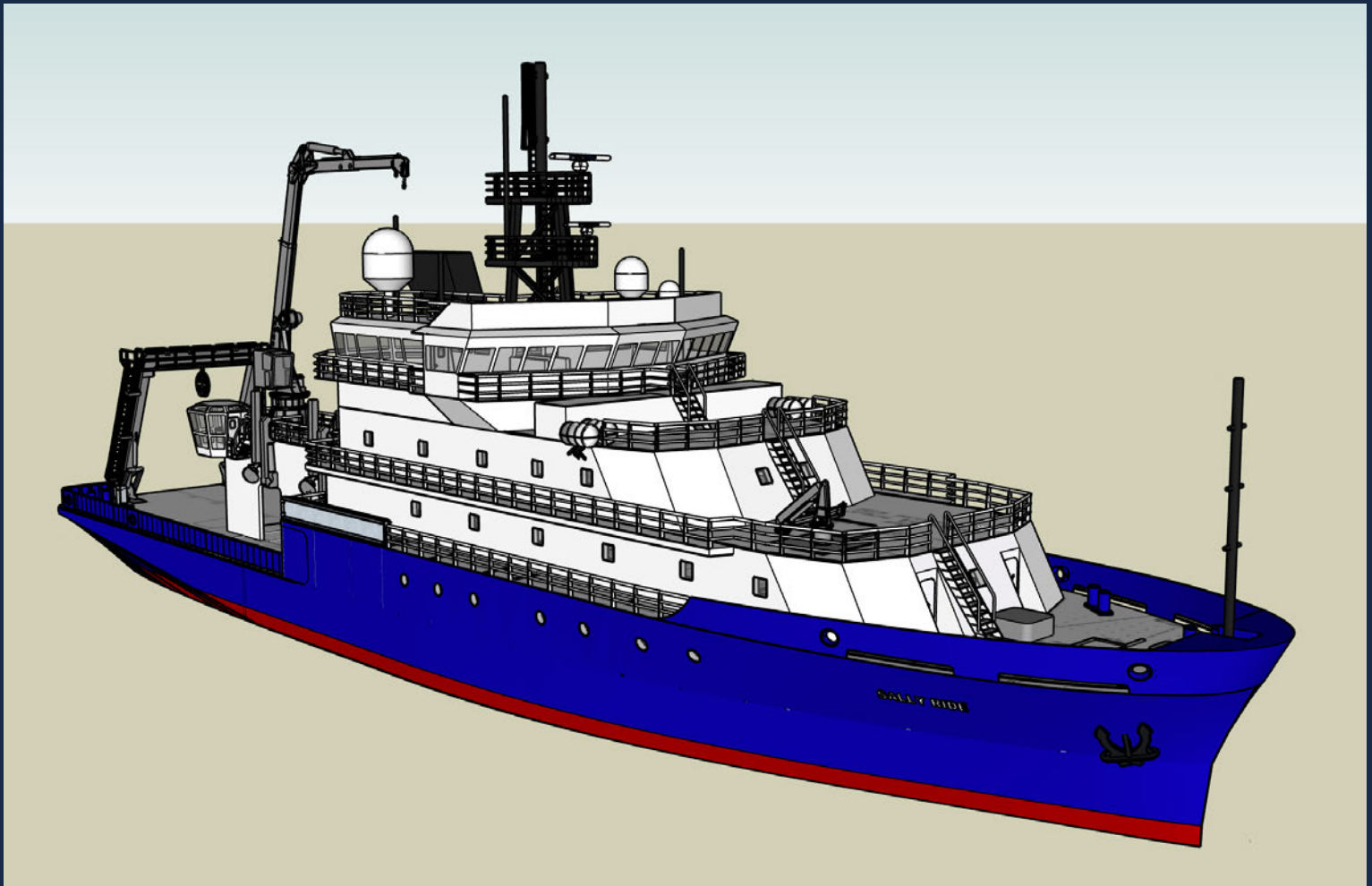


R/V SALLY RIDE

DECK AND LAB SPACES

Shipboard Technical Support
ResTech@ucsd.edu
(858) 534-1632



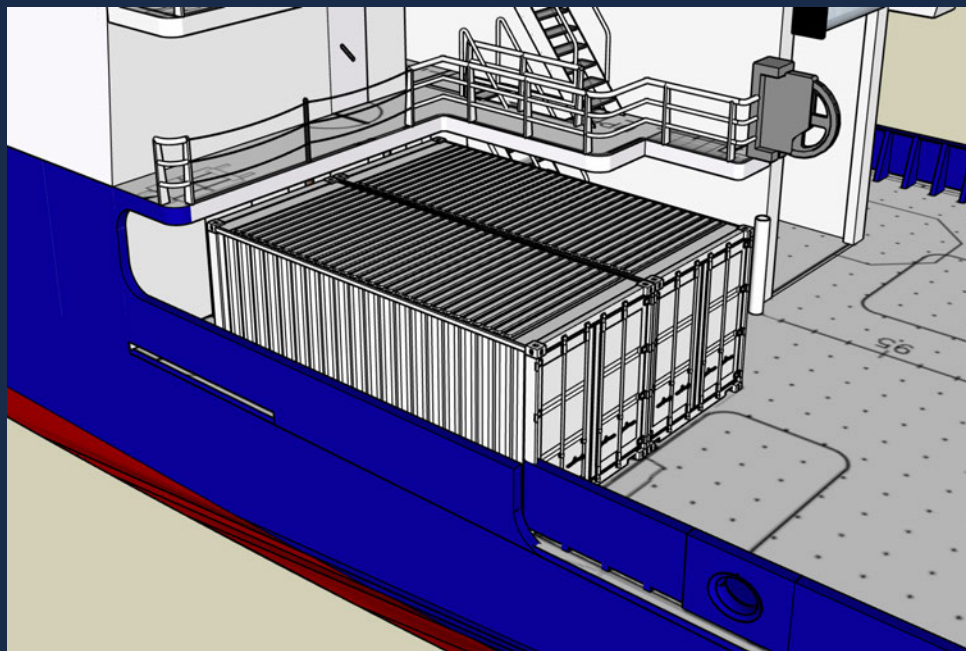


2'x2' deck socket pattern

- 1"x8 sockets on deck
- 1/2"x13 sockets in labs
- Standard across UNOLS vessels

1'x6" lab bench socket pattern

- 1/4"x20 sockets on benches
- No drilling allowed on benches
- Drilling permitted on nesting tables



Space for 2 shipping containers (20' long) on port main deck

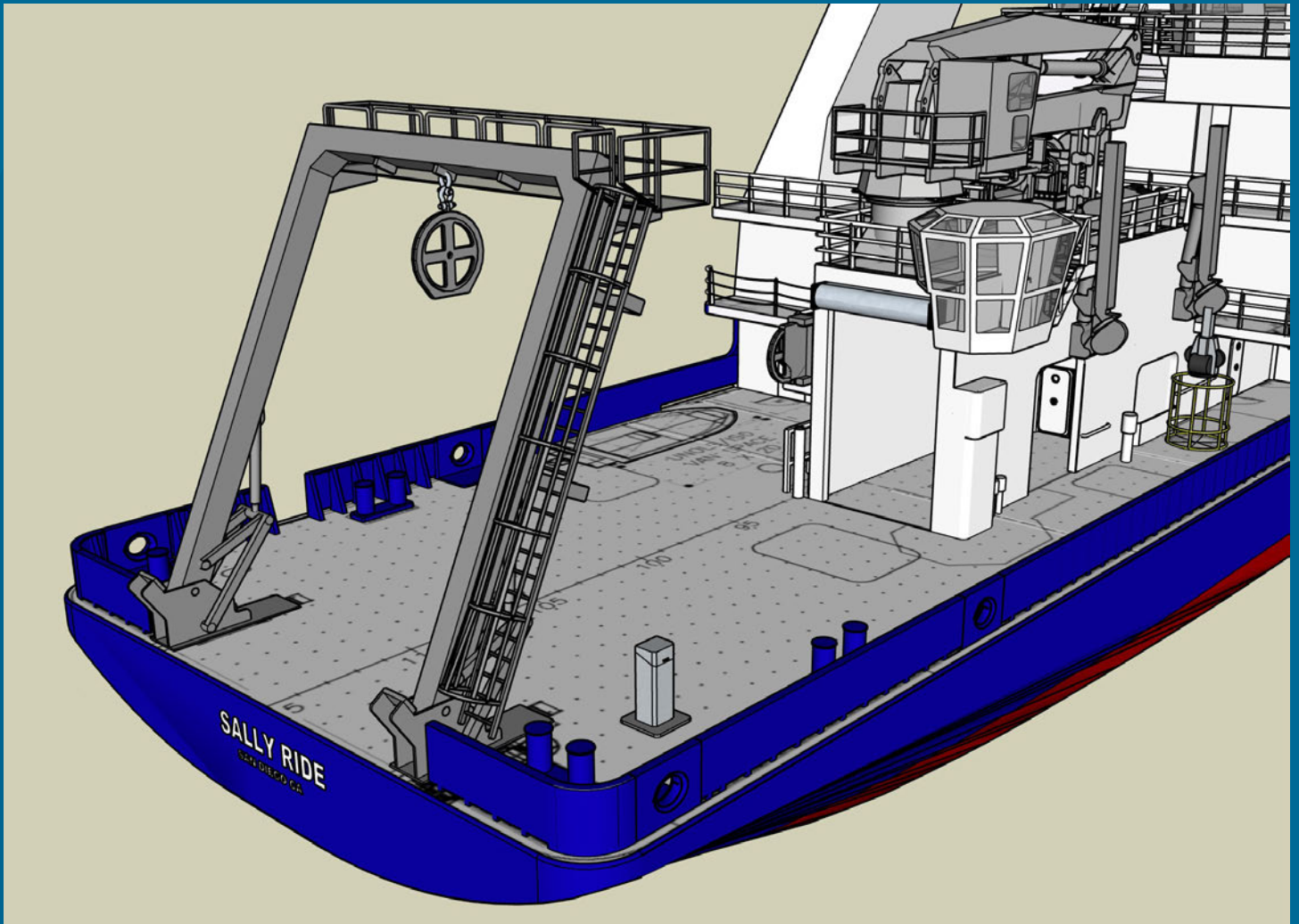
- Main lab access forward of vans
- Ship's workboat can be stacked on top of a van



Space for 3 shipping containers (20' long) on forward 01 deck

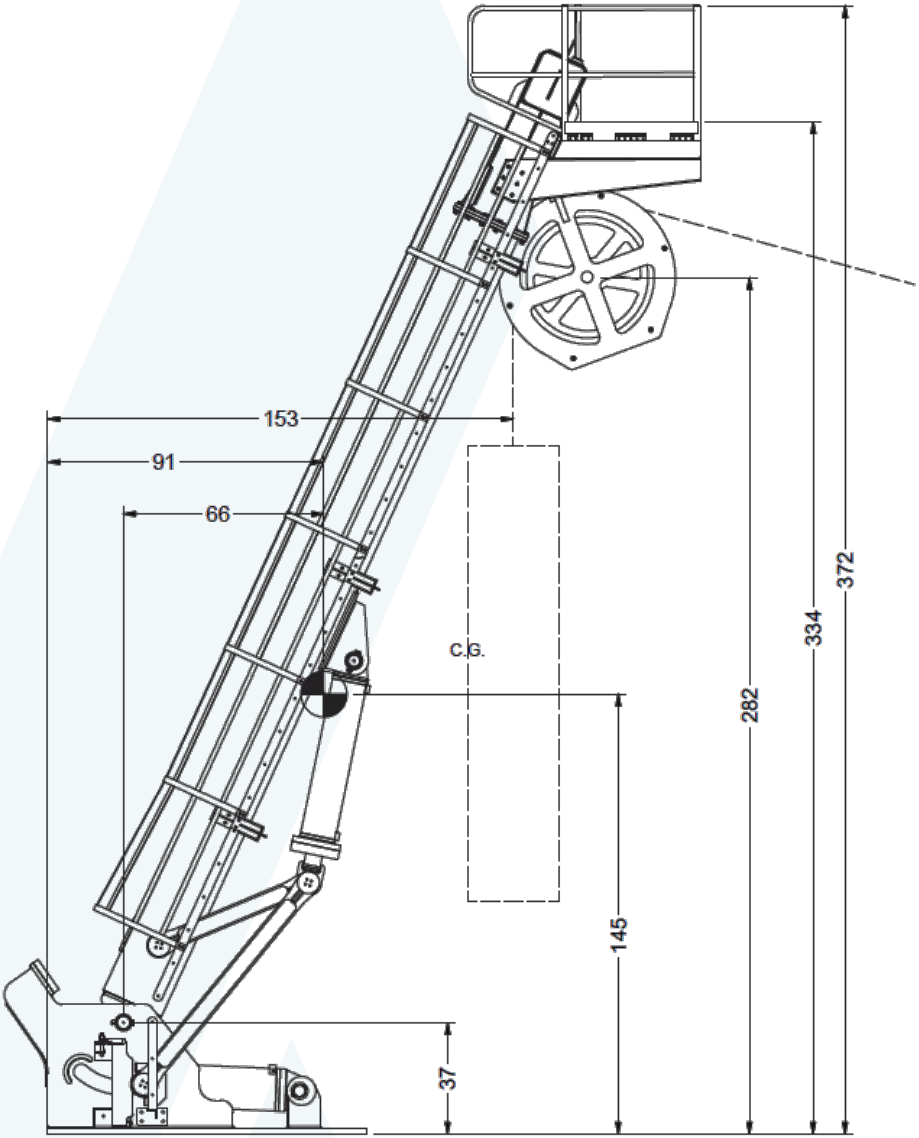
- 4 possible locations with maximum space for 3 containers

A-FRAME



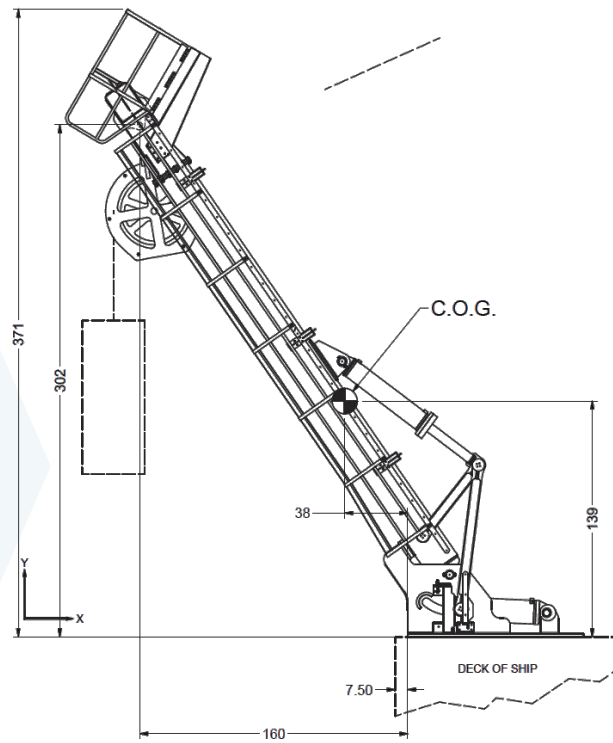
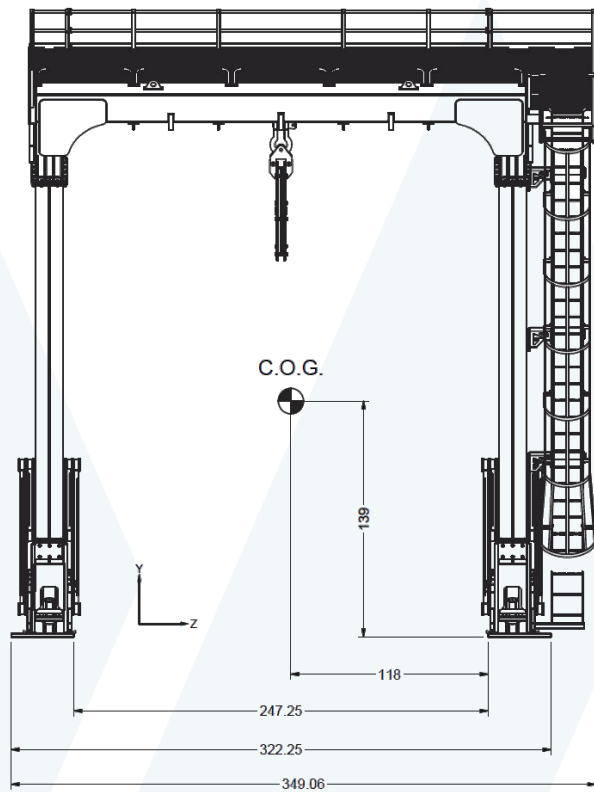
- Safe static working load of 30,000 lbs.
- Three positions for hanging blocks or chain (port, starboard, centerline)
- Hydraulic topping winch
- Can be lowered to deck for maintenance mode making block hanging easy

A-FRAME INBOARD POSITION

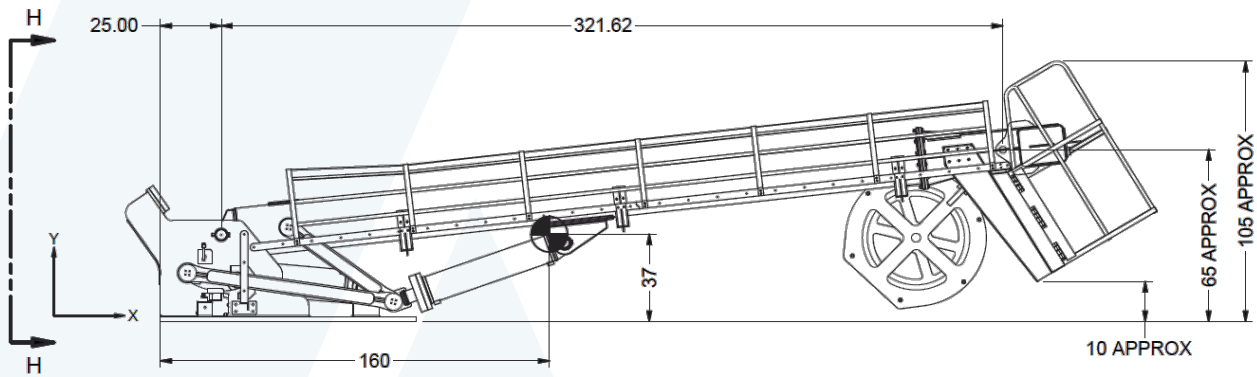


*Dimensions in inches

A-FRAME OUTBOARD POSITION

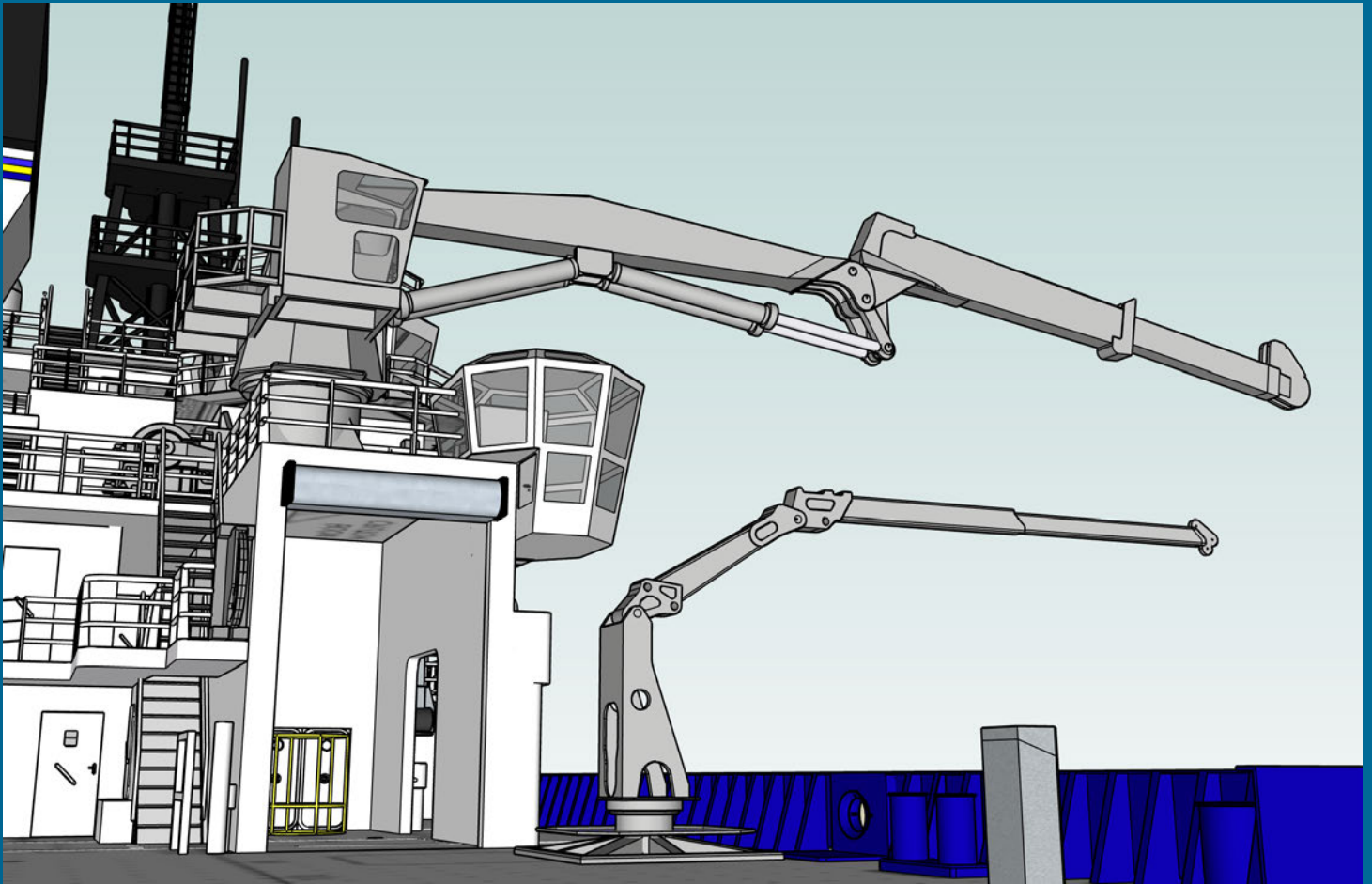


A-FRAME MAINTENANCE MODE



*Dimensions in inches

CRANES



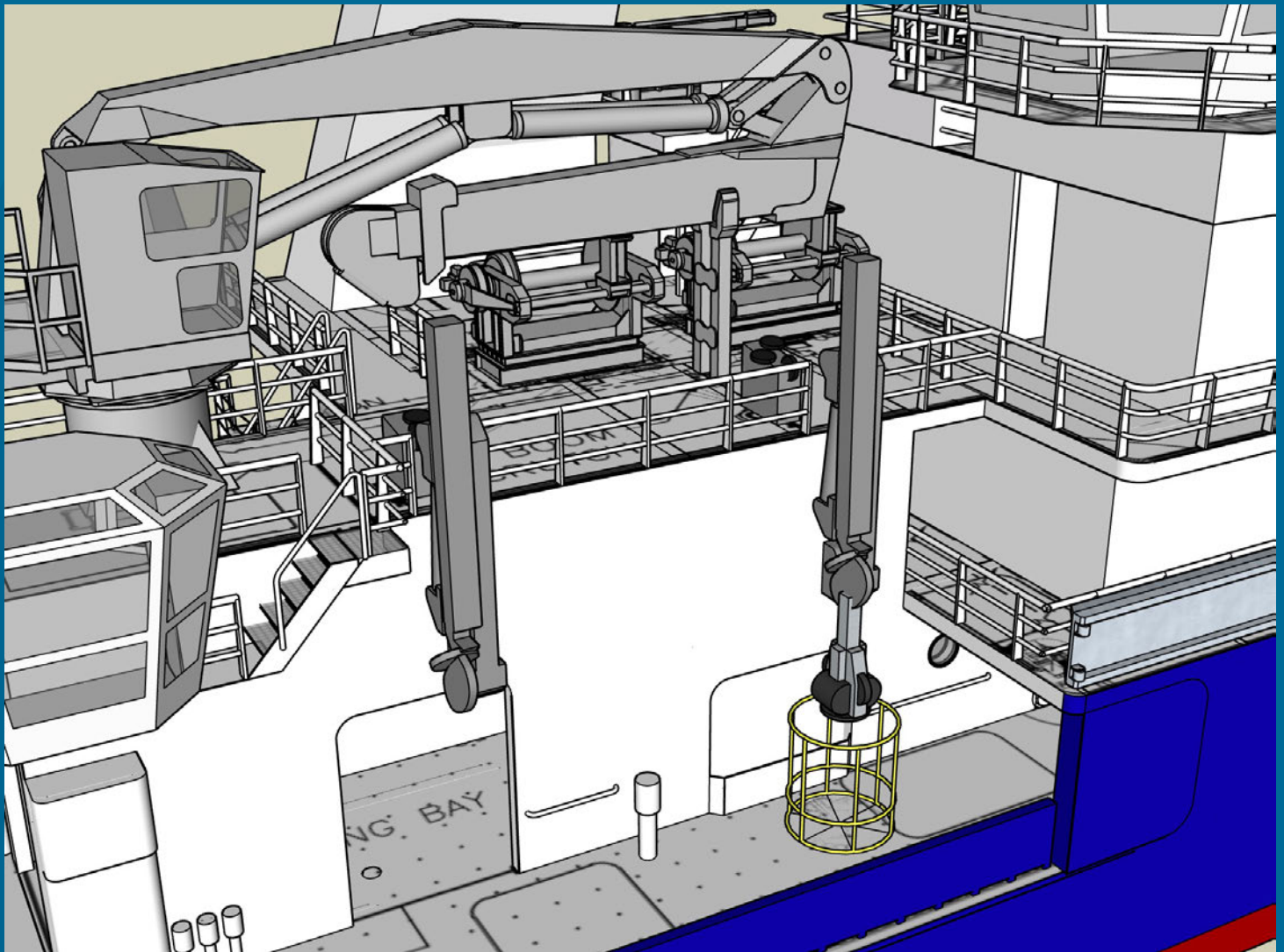
Main Crane – TK70-70

- 20,000 lb safe working load in port
- 70 ft reach

Portable Crane – TK4-30

- 2,000 lb safe working load
- 30 ft reach
- Can be bolted on aft main deck or forward 01 deck

STARBOARD SIDE HANDLERS



Aft Handler

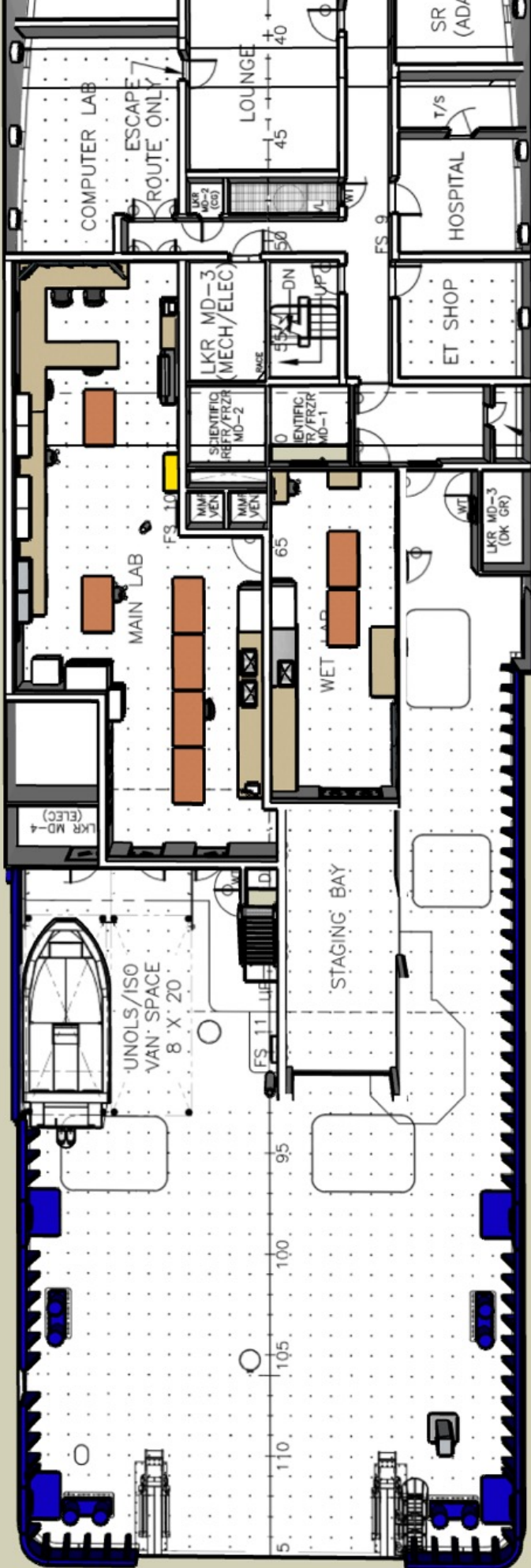
- Approximately 10 ft clearance over bulwarks
- 3/8" trawl wire

Forward CTD Handler

- Automated CTD launch and recovery system
- 0.322 electromechanical CTD wire

OVERHEAD VIEW OF MAIN DECK

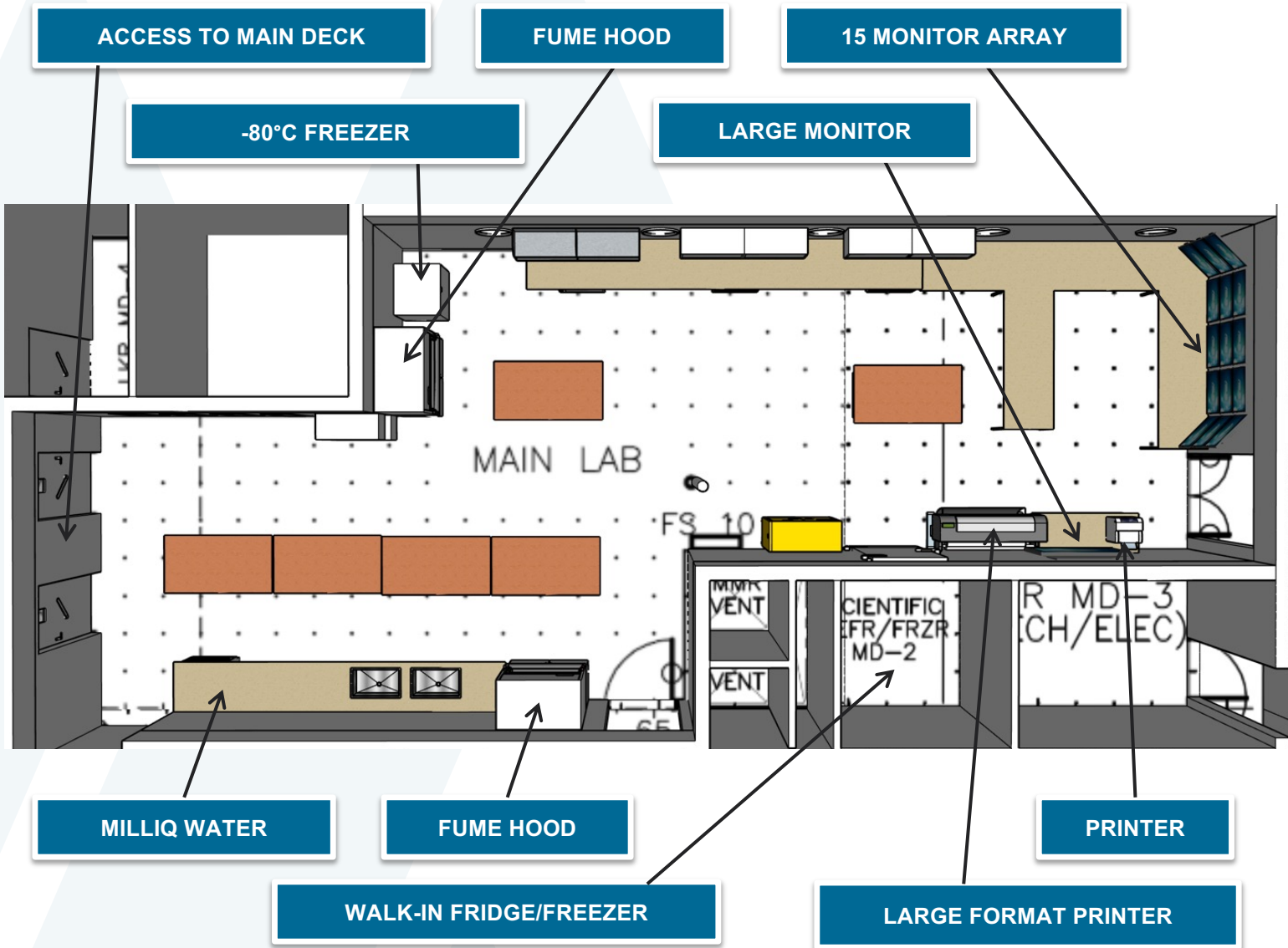
- Main lab, wet lab, staging bay, and deck configurable to needs of science party
- Computer lab consists of racks and instrumentation and is not customizable between cruises



MAIN LAB OVERHEAD VIEW



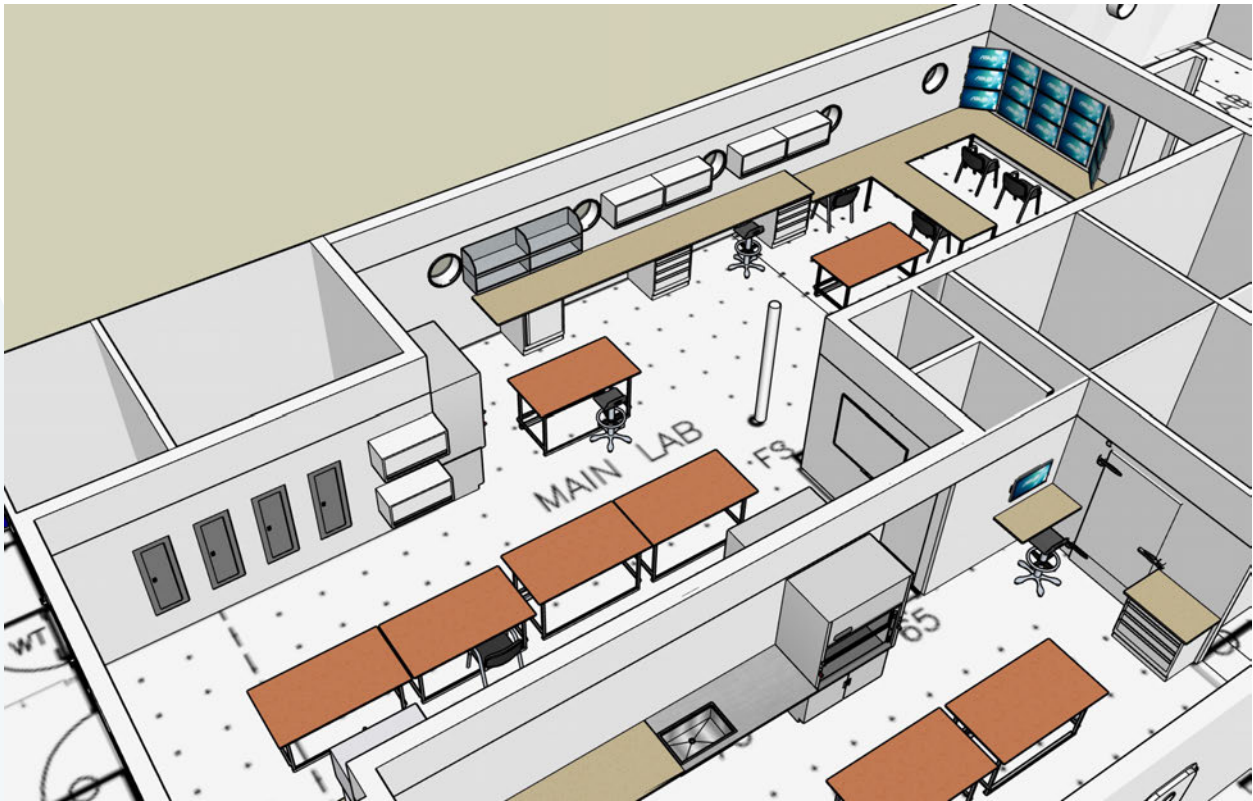
Main Deck



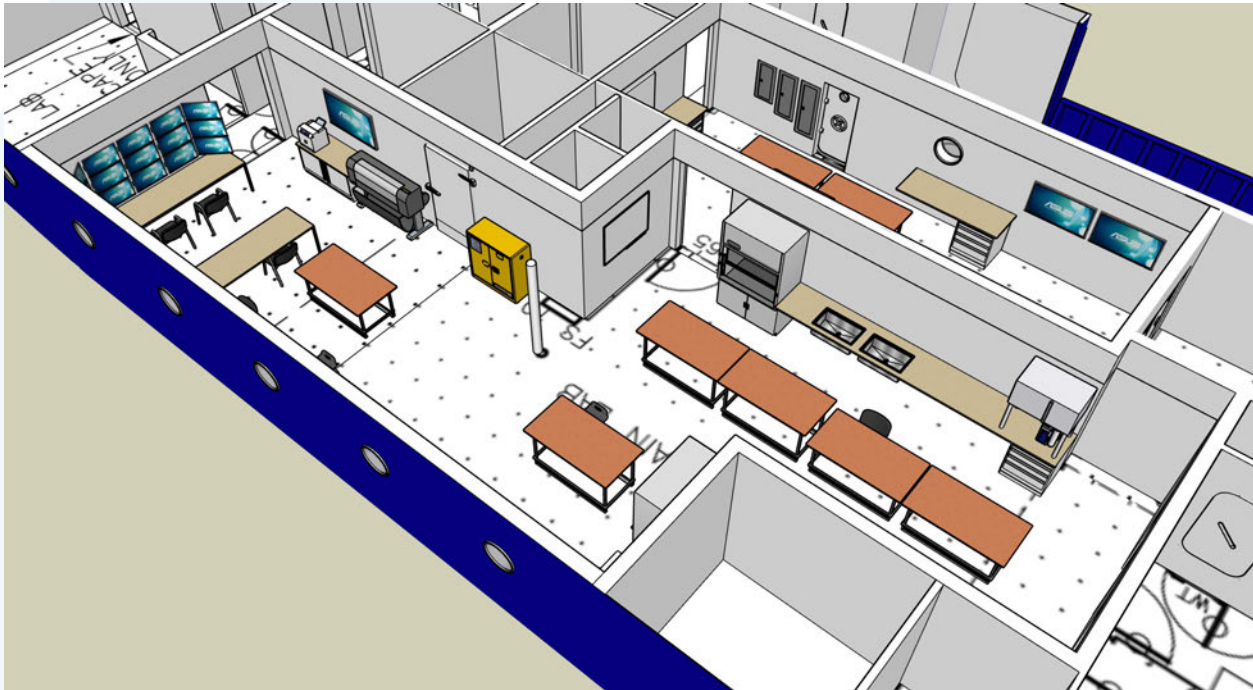
- 5 sets of nesting tables (configurable for 5-10 tables)
- 2 fume hoods
- 2 sinks (with uncontaminated seawater hookup)
- MilliQ purified water
- Walk-in refrigerator or freezer

- -80°C freezer with 360 L capacity (Large -80°C freezer also available in science hold)
- 15 monitor array
- Large presentation monitor
- Laser printer
- Large format printer

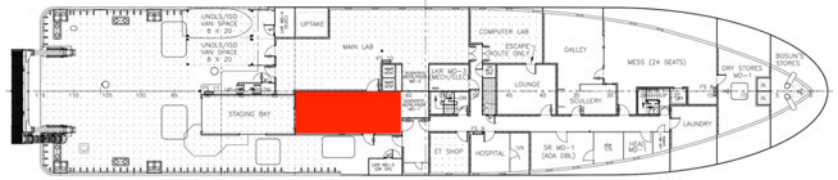
MAIN LAB PORT PERSPECTIVE VIEW



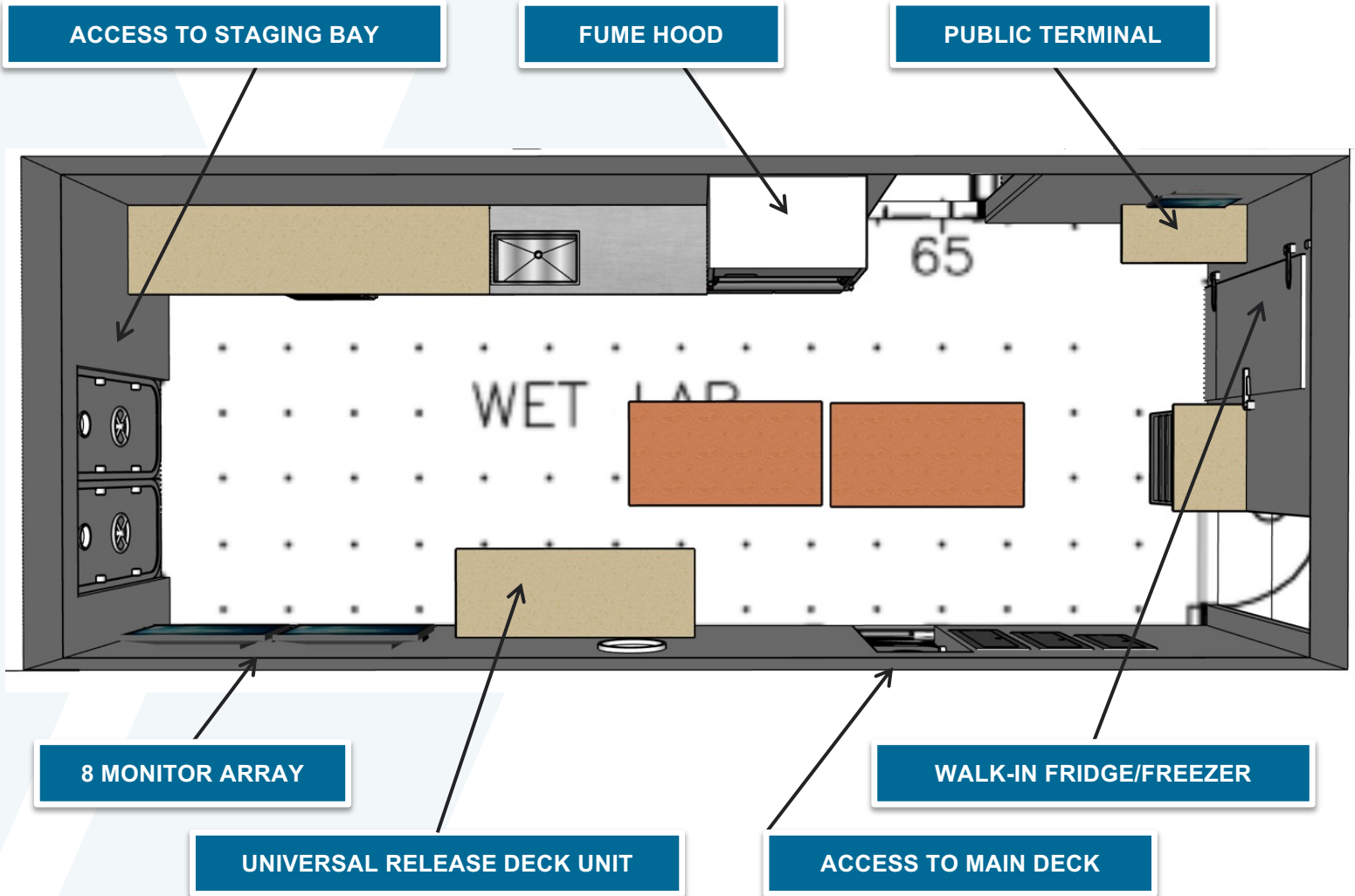
MAIN LAB STARBOARD PERSPECTIVE VIEW



WET LAB OVERHEAD VIEW



Main Deck



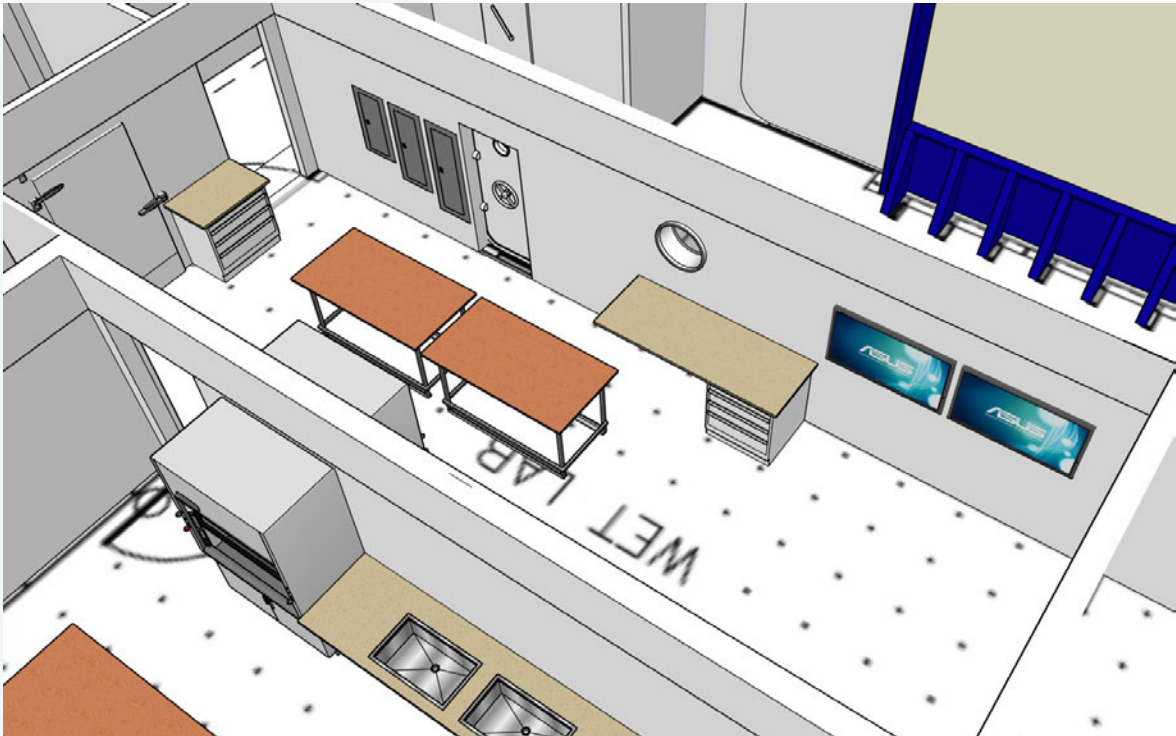
- 2 sets of nesting tables (configurable for 2-4 tables)
- 1 fume hood
- 1 sink (with uncontaminated seawater hookup)

- Walk-in refrigerator or freezer
- 8 monitor array
- Public computer terminal
- Universal acoustic release deck unit. 12 kHz BNC connection available too

WET LAB PORT PERSPECTIVE VIEW



WET LAB STARBOARD PERSPECTIVE VIEW



SCIENCE HOLD OVERHEAD VIEW

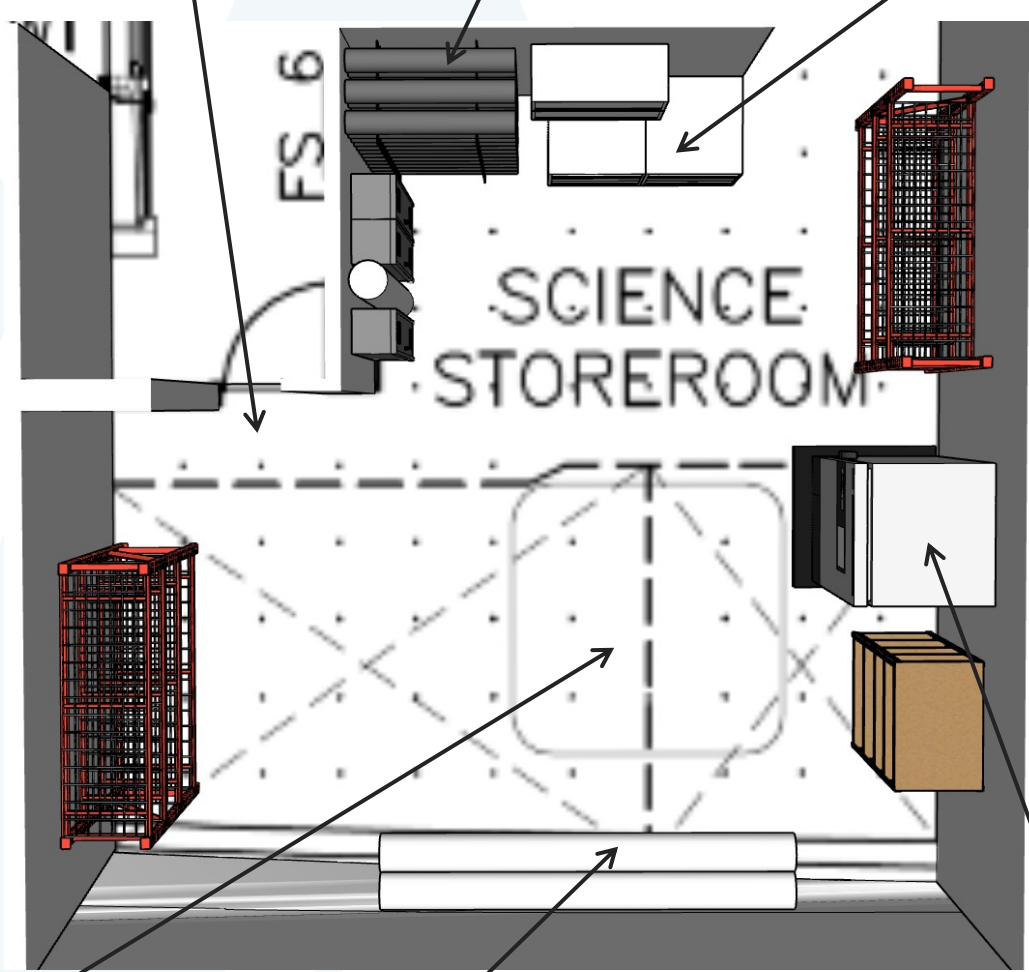


1st platform

ACCESS TO MAIN DECK COMPANIONWAY

CTD BOTTLES

HARDWARE SUPPLY



OVERHEAD HATCH

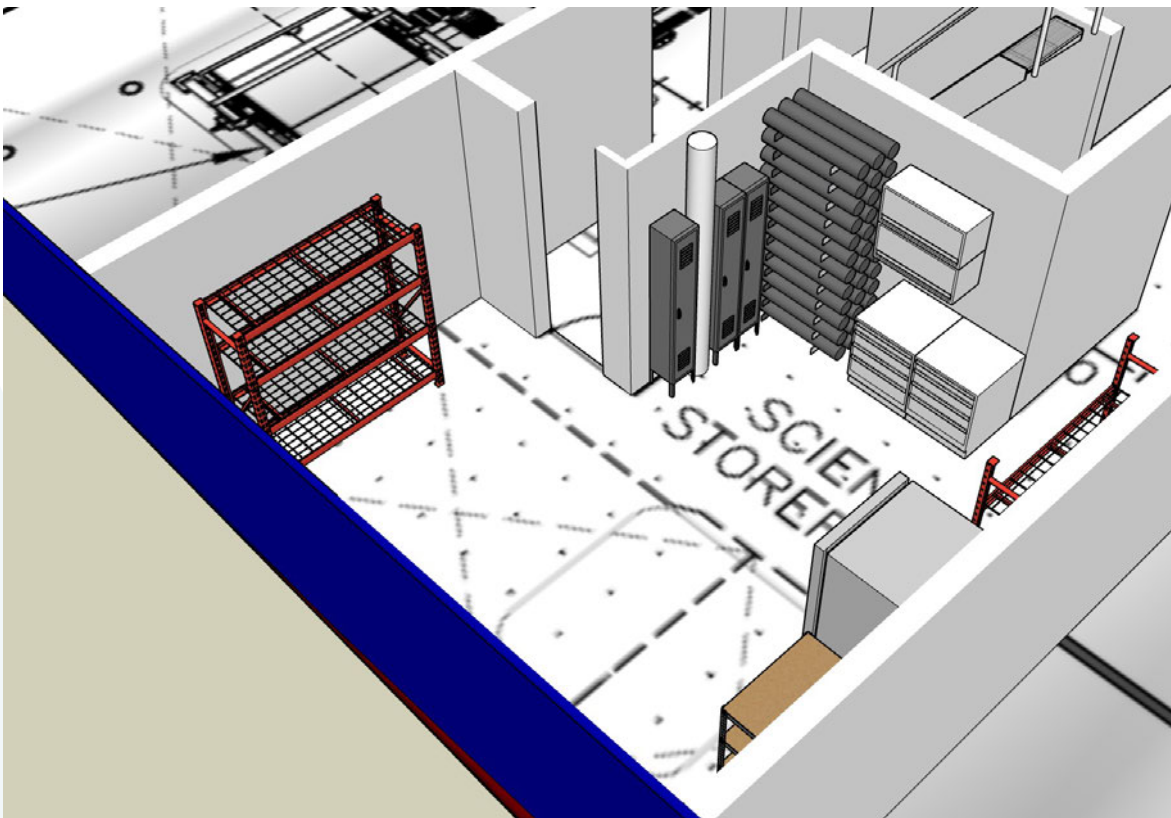
PIPESTRING

-80°C FREEZER

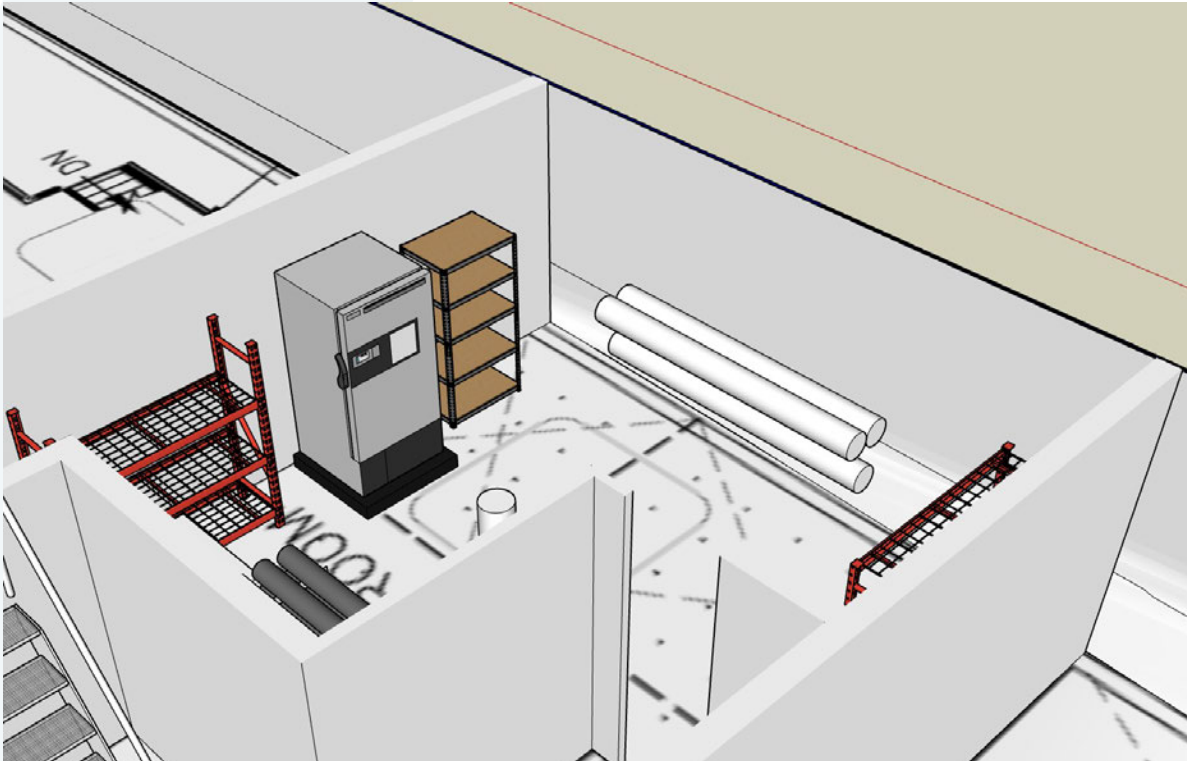
- *Note* Storeroom is limited in available space as instruments, line, ratchet straps, CTD spares, deck hardware, etc. utilize this area. Contact ResTech group for information regarding your specific storage needs.

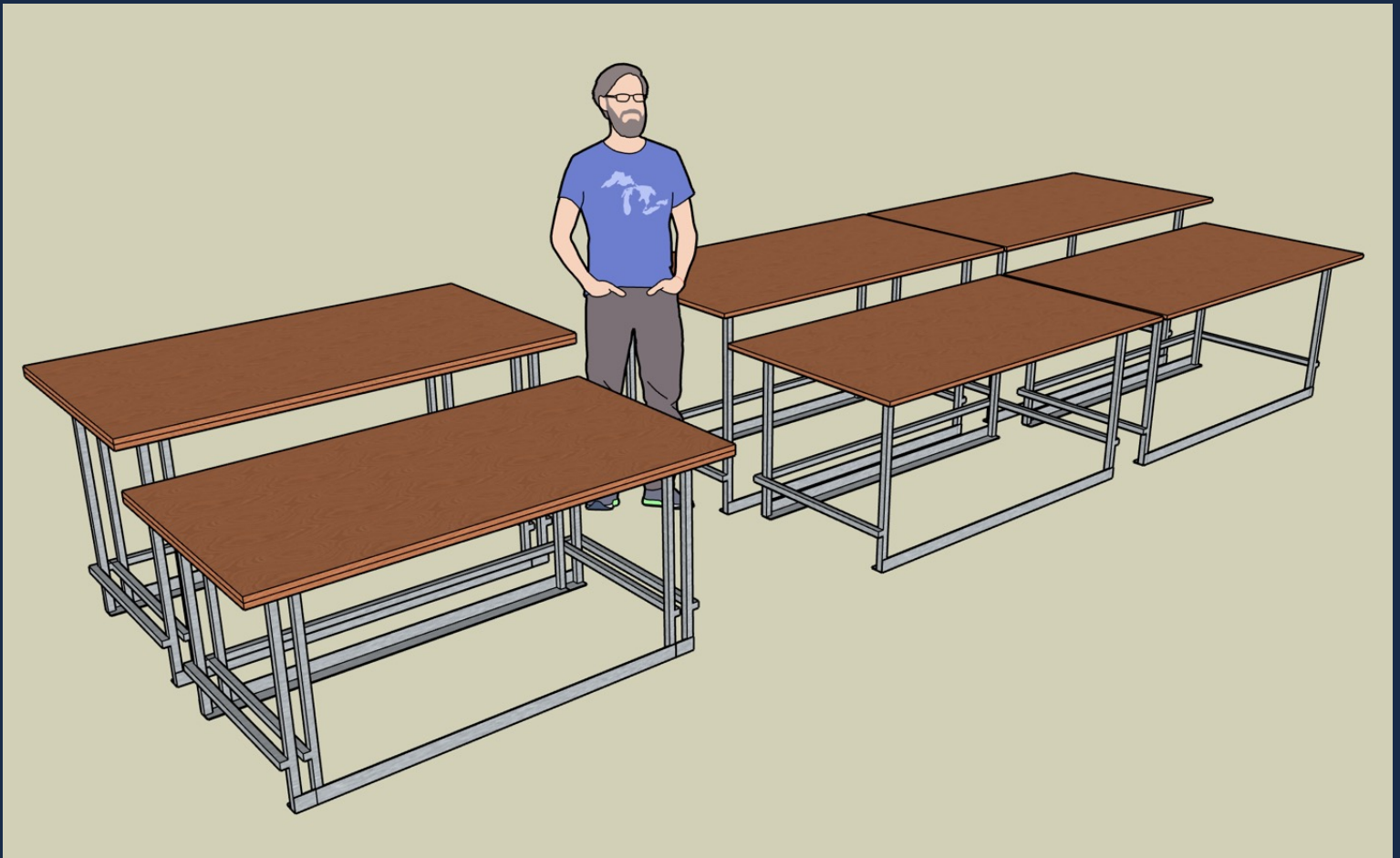
- -80°C freezer
- Overhead hatch to main deck
- Heavy-duty shelving

SCIENCE HOLD PORT PERSPECTIVE VIEW



SCIENCE HOLD STARBOARD PERSPECTIVE VIEW





Nesting Lab Benches

- 2 lab tables can be nested to take up the space of just one bench
- 4 sets of high tables (36") are available (4-8 benches)
- 3 sets of low tables (29") are available (3-6 benches)
- Tabletops are 65" x 35"
- Tables can be moved between any lab space